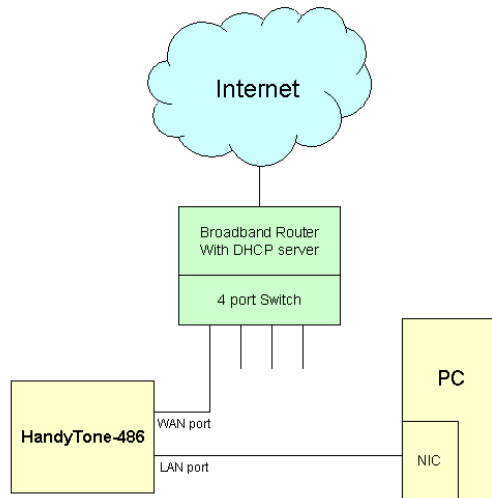


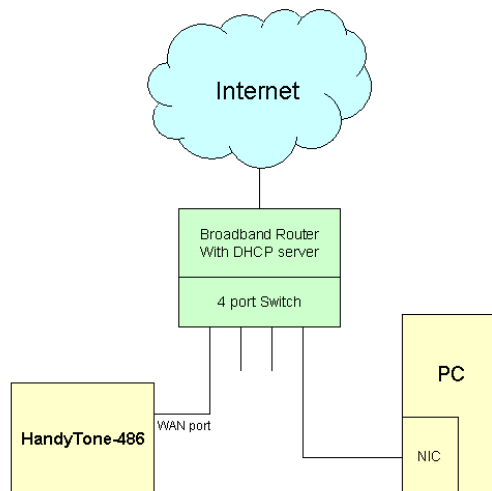
How to configure HandyTone-486 for myVoIPaccount.net

1) Getting into the HandyTone-486

Connect the **LAN** port on the HandyTone-486 to the network card on your computer via a straight Ethernet cable.

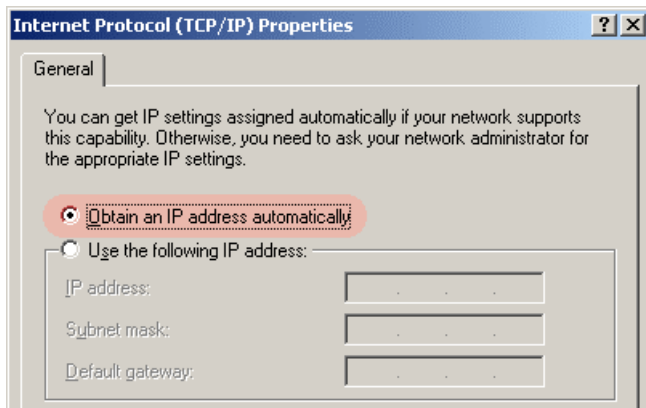


Or you can connect your computer and the HandyTone-486 **WAN** port to the same Router, login Router to check DHCP client list finding out current IP address of the HandyTone-486.



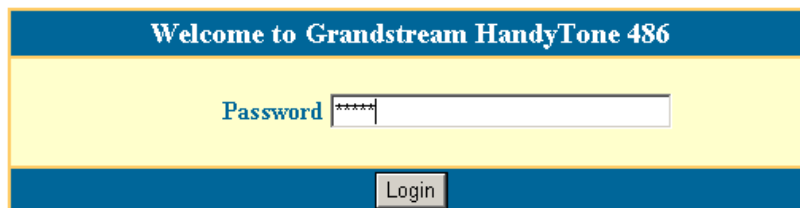
Note: The WAN port HTML configuration menu option is disabled from factory. To access the HTML configuration menu from the WAN port, first enable the “WAN side HTTP access” option by accessing the configuration via LAN port.

Change IP settings to **obtain an IP address automatically** on your computer.



Launch Internet Explorer on your computer and type `http://192.168.2.1` or the IP address you found in the client list of DHCP server in the address box and press the Enter key. You will see a login page as below, enter password in Password box, and then click **Login** button to get in configuration page.

The default password is ‘admin’ in lower case; you can change it on configuration page later. If you forgot your password, try to reset HandyTone-486 and use ‘admin’ as password to get in it, please refer to user manual page 27 for detail. All settings may go back to default if you reset HandyTone-486.



2) Configuring the HandyTone-486

Network settings

If DHCP mode is selected, the all of the field values for the Static IP are not used. The HandyTone-486 will get its IP address from the first DHCP server it discovers from the LAN it is connected to. This is the default mode.

Some of ISP uses PPPoE feature, like most of DSL Internet connection, so you need to enter the **PPPoE account ID** and **PPPoE password** required for the login (authentication) process.

If Static IP mode is selected, then the **IP address**, **Subnet Mask** and **Default Router IP address** will need to be configured. These fields are reset to zero by default.

SIP settings

Enter 207.251.107.141 in **SIP Server** box. Leave **Outbound Proxy** box blank; enter your account number in **SIP User ID** and **Authenticate ID** boxes, and Account password in **Authenticate Password** box.

Grandstream HandyTone 486 Configuration

MAC Address: 00.0B.82.01.CD.A9
Product Model: HT486
Software Version: Program--1.0.5.10 Bootloader--1.0.0.18 HTML--1.0.0.37 VOC--1.0.0.6

Admin Password: (password to configure this IP phone)

WAN IP Address: dynamically assigned via DHCP (default) or PPPoE
 (will attempt PPPoE if DHCP fails and following is non-blank)

PPPoE account ID:
 PPPoE password:

Use this DNS server (if specified): . . .

statically configured as:

IP Address: . . .
 Subnet Mask: . . .
 Default Router: . . .
 DNS Server 1: . . .
 DNS Server 2: . . .

SIP Server: (e.g., sip.mycompany.com, or IP address)

Outbound Proxy: (e.g., proxy.myprovider.com, or IP address, if any)

SIP User ID: (the user part of an SIP address)

Authenticate ID: (can be identical to or different from SIP User ID)

Authenticate Password:

Name: (optional, e.g., John Doe)

Save settings and Reboot HandyTone-486

Click **Update** button on the bottom of configuration page to save settings.

| | | | |
|---------------------------------------|----------------------|---------------------------------------|---------------------------------------|
| LAN IP | <input type="text"/> | LAN port | <input type="text"/> |
| LAN IP | <input type="text"/> | LAN port | <input type="text"/> |
| LAN IP | <input type="text"/> | LAN port | <input type="text"/> |
| <input type="button" value="Update"/> | | <input type="button" value="Cancel"/> | <input type="button" value="Reboot"/> |

When you see flowing window, Click **to view your changes** to go back to the configuration page.

Grandstream HandyTone 486 Configuration Update Status

Your configuration changes have been saved.
They will take effect on next reboot.

[Click to view your changes](#)

Finally please re-power HandyTone-486 to reboot it, pull out power cord, wait few seconds and then plug it back. Which may needs one minute.

3) Making test call

By picking up the telephone handset, the indicator on HandyTone-486 will turn green and you will hear a dial tone, now you can make a test call.

If you want to dial to regular phone line, just dial the phone number as you normally would, i.e. country code + area code + phone number. You can hit # key after phone number to speed up the connection, i.e. 12121234567#.

For international calls, please add 011 before the country code, i.e. 011852123456789#.